

Features

- 2-way normally closed operation
- Zero minimum
- For control of commercial and industrial oil burners
- Ideal for high pressure applications
- Brass body construction
- Mountable with solenoid upright and vertical

Fluid

- No. 2 Fuel Oil at 60 SSU
- No. 4 Fuel Oil at 300 SSU
- No. 5 Fuel Oil at 5000 SSU
- No. 6 Fuel Oil at 5000 SSU (Heated)

Construction

| Valve Parts in Contact with Fluids | |
|------------------------------------|----------------------|
| Body | Brass |
| Seals and Disc | FKM |
| Core Tube | 305 Stainless Steel |
| Core and Plugnut | 430F Stainless Steel |
| Springs | 302 Stainless Steel |
| Shading Coil | Copper |
| Piston | Brass |

Electrical

| Standard Coil and Class of Insulation | Watt Rating and Power Consumption | | | Ambient Temp. °F | Spare Coil Family |
|---------------------------------------|-----------------------------------|------------|-----------|------------------|-------------------|
| | AC | | | | General Purpose |
| | Watts | VA Holding | VA Inrush | | AC |
| H | 17.1 | 40 | 93 | 32 to 150 | 238810 |

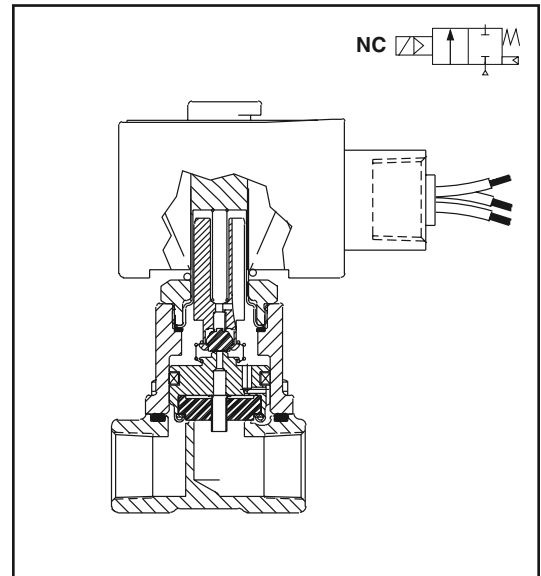
Standard Voltages: 24, 120, 240 volts AC, 60 Hz (or 110, 220 volts AC, 50 Hz).

Solenoid Enclosures

Standard: Watertight, Types 1, 2, 3, 3S, 4, and 4X with 1/2" conduit hub.

Valve Response Time

Opening Time: Less than 1 second; **Closing Time:** Less than 1 second



Approvals

UL listed File MO-932 Safety Valves.

FM Approved "Oil Safety Shutoff Valves."
File JIOD9A5.AF

CSA Certified to:

- 1) Standard C22.2 No. 139 "Electrically Operated Valves," File 010381.
- 2) Safety Valves File LR702258.

Specifications (English units)

| Pipe Size (ins.) | Orifice Size (ins.) | Cv Flow | Operating Pressure Differential (psi) | | Nominal Fluid Temp. °F | Catalog Number | | | Const. Ref. | Agency | | | Wattage | Approx. Shipping Weight (lbs) |
|--|---------------------|---------|---------------------------------------|------|------------------------|----------------|------------------|------------------|-------------|--------|----|-----|---------|-------------------------------|
| | | | Min. | Max. | | 24V 60Hz | 110-120V 50-60Hz | 220-240V 50-60Hz | | UL | FM | CSA | | |
| COMBUSTION (Fuel Oil) - NORMALLY CLOSED | | | | | | | | | | | | | | |
| 1/4 | 1/2 | 1.1 | 0 | 300 | 250 | SV401A01V9BF7 | SV401A02V9BF7 | SV401A04V9BF7 | 1 | ○ | ○ | ○ | 17.1 | 3.2 |
| 3/8 | 1/2 | 1.5 | 0 | 300 | 250 | SV401A01V9CF7 | SV401A02V9CF7 | SV401A04V9CF7 | 1 | ○ | ○ | ○ | 17.1 | 3.2 |

○ = Safety Shutoff Valve.

Specifications (Metric units)

| Pipe Size (ins.) | Orifice Size (mm) | Kv Flow (m³/hr) | Operating Pressure Differential (bar) | | Nominal Fluid Temp. °C | Catalog Number | | | Const. Ref. | Agency | | | Wattage | Approx. Shipping Weight (kgs) |
|--|-------------------|-----------------|---------------------------------------|------|------------------------|----------------|------------------|------------------|-------------|--------|----|-----|---------|-------------------------------|
| | | | Min. | Max. | | 24V 60Hz | 110-120V 50-60Hz | 220-240V 50-60Hz | | UL | FM | CSA | | |
| COMBUSTION (Fuel Oil) - NORMALLY CLOSED | | | | | | | | | | | | | | |
| 1/4 | 13 | 0.9 | 0 | 20.7 | 121 | SV401A01V9BF7 | SV401A02V9BF7 | SV401A04V9BF7 | 1 | ○ | ○ | ○ | 17.1 | 1.5 |
| 3/8 | 13 | 1.3 | 0 | 20.7 | 121 | SV401A01V9CF7 | SV401A02V9CF7 | SV401A04V9CF7 | 1 | ○ | ○ | ○ | 17.1 | 1.5 |

○ = Safety Shutoff Valve.

Dimensions inches (mm)

